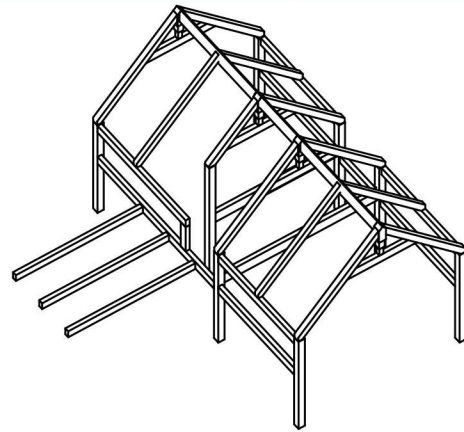
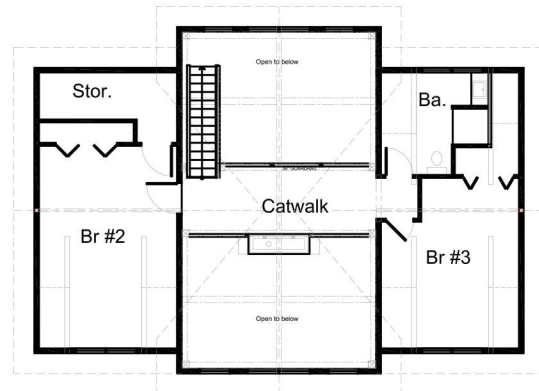


MAIN FLOOR



TIMBER FRAME



SECOND FLOOR

Main Floor 1,464 s.f.
Second Floor 929 s.f.
Total 2,393

Copyright 2010 Tamlin Int. Homes